



# WAREHOUSE EQUIPMENT

Pallet Trucks - Stackers - Order Pickers - Reach Trucks



# General Specifications Warehouse Equipment

## Contents

### PALLET TRUCKS

LPM15/20N-7	3
BPL18/20S-7, BPM20S-7	4
BPM40/50S-5	5
LEDH20MP, LEDH20MP-R, LEDH20MP-S	6
BPW20S-5	7

### STACKERS

LPM15/20N-7	8
<b>Compact Line</b>	
BSL10/13S-7C	9
<b>Heavy Line</b>	
BSL14/16S-7	10
LEDS16IP, BSL20S-7	11
BSW13S-5	12
<b>Double Stackers</b>	
BDL13S-7, BDL13S-7H, LEDD12.5/20MP	13
BDW13S-5	14

### ORDER PICKERS

BOR20S-5X	15
-----------	----

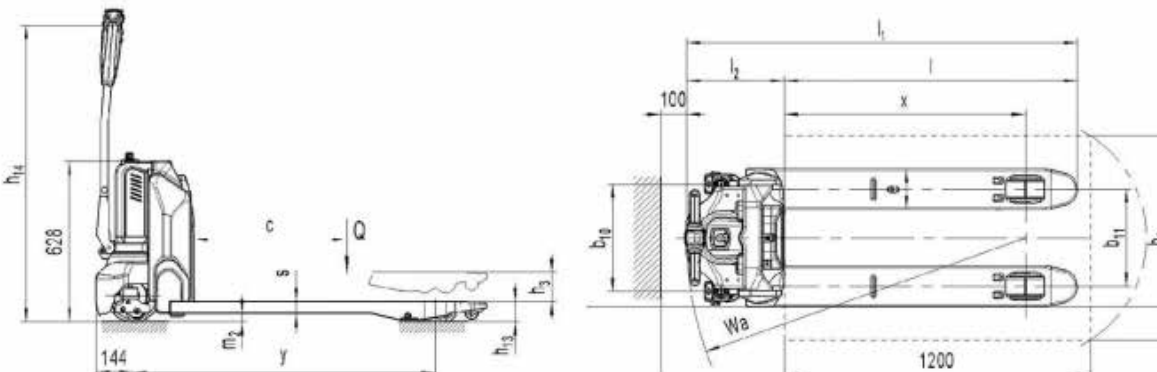
### CARGO HANDLING

LEHF75D	16
---------	----

# General Specifications - Pallet Trucks (LPM15N-7/LPM20N-7)

CHARACTERISTICS	1.1	Manufacturer			Doosan	Doosan
	1.2	Model			LPM15N-7	LPM15N-7
	1.3	Drive			Electric	
	1.4	Operator Type			walkie, middle drive	
	1.5	Load Capacity/rated load center	Q	kg	1,500	2,000
	1.6	Load Center	c	mm	600	600
	1.8	Load Distance	x	mm	947	
	1.9	Wheelbase	y	mm	1,185	
	WEIGHT	2.1	Service Weight (incl. battery)		kg	123
2.2		Axle loading, loaded, front/rear		kg	500/1,123	626/1,000
2.3		Axle loading, unloaded, front/rear		kg	96/27	99/27
TYRES	3.1	Tyres			Polyurethane (PU)	
	3.2	Tire size, front		mm	ø210x70	
	3.3	Tire size, rear		mm	ø80x93	
	3.4	Additional wheels (dimensions)		mm	ø80x30	
	3.5	Wheels, number front/rear (x=driven wheels)			1x/2(1x/4) or 1x+2/2(1x+2/4)	
	3.6	Tread, front	b10	mm	ø420	
	3.7	Tread, Rear	b11	mm	ø380	ø525
DIMENSIONS	4.4	Lift Height	h3	mm	115	
	4.9	Height tiller, in drive position min/max	h14	mm	700/1,160	
	4.15	Height, lowered	h13	mm	80	
	4.19	Overall Length	l1	mm	1,530	1,536
	4.20	Length to Forkface	l2	mm	380	
	4.21	Overall Width	b1	mm	540	685
	4.22	Fork Dimensions	s/e/l	mm	47x160x1,150	
	4.25	Distance over forks	b5	mm	540	685
	4.32	Ground Clearance. center of wheelbase	m2	mm	33	
	4.34	Aisle width for pallets 800 x 1,200 lengthways	Ast	mm	2,003	
4.35	External Turning Radius	Wa	mm	1,330	1,336	
PERFORMANCE DATA	5.1	Travel Speed. loaded/unloaded		km/h	4.6 / 4.8	4.8 / 5.2
	5.8	Max. Gradeability. loaded/unloaded		%	4/16	7/16
	5.10	Service Brake			Electromagnetic	
ELECTRIC MOTOR	6.1	DC - Drive motor		kW	0.65	
	6.2	DC - Lift motor		kW	0.50	0.80
	6.3	Battery acc. to DIN 43535 A/B/C/no			no	
	6.4	Battery voltage, nominal capacity K5		V/Ah	24/20	48/20
	6.5	Battery weight		kg	4.75	6.60
	6.6	Energy consumption acc. to VDI cycle		kWh/H	0.18	
ADDITION DATA	8.1	Type of control for drive and lift			DC Speed control	
	8.4	Sound level at driver's ear acc. to EN12053		db(A)	<70	

Technical specifications are subject to change without notice.

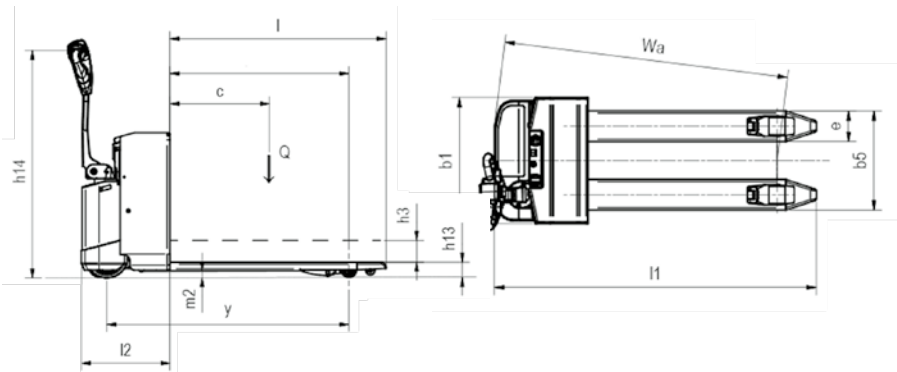


# General Specifications - Pallet Trucks (BPL18/20S-7 & BPM20S-7)

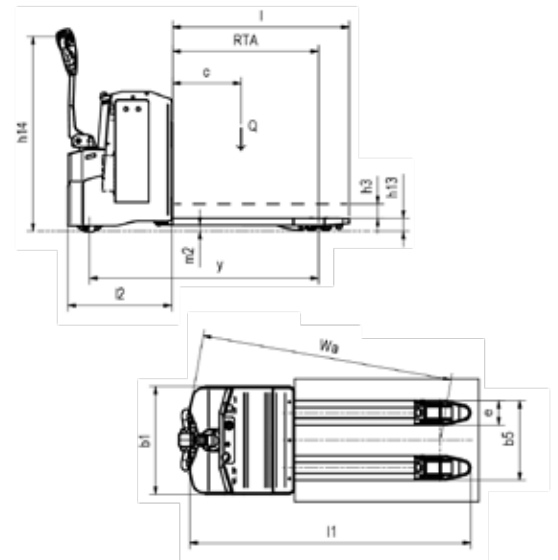
CHARACTERISTICS	1.1	Manufacturer			Doosan	Doosan	Doosan
	1.2	Model			BPL18S-7	BPL20S-7	BPM20S-7
	1.3	Drive			Electric		
	1.4	Operator Type			walkie, lateral drive		walkie, middle drive
	1.5	Load Capacity/rated load center	Q	kg	1,800	2,000	2,000
	1.6	Load Center	c	mm	600	600	600
	1.8	Load Distance	x	mm	990	990	990
	1.9	Wheelbase	y	mm	1,337	1,337	1,350
	WEIGHT	2.1	Service Weight (incl. battery)		kg	500	520
2.2		Axle loading, loaded, front/rear		kg	915/1,385	1,013/1,507	1,028/1,512
2.3		Axle loading, unloaded, front/rear		kg	410/90	426/94	441/99
TYRES	3.1	Tyres			Vulkollan		
		Drive wheel		mm	ø230x80	ø230x80	ø230x80
		Load wheel		mm	ø85/78	ø85/78	ø85/78
		Support wheel		mm	ø125x50	ø125x50	2xø100x40
	3.6	Tread, Front	b10	mm	385	385	419
	3.7	Tread, Rear	b11	mm	358	358	358
DIMENSIONS	4.4	Lift Height	h3	mm	120	120	120
	4.9	Height tiller, in drive position	h14	mm	1,260	1,260	1,260
	4.15	Height, lowered	h13	mm	85	85	85
	4.19	Overall Length	l1	mm	1,683	1,683	1,699
	4.20	Length to Forkface	l2	mm	490	490	503
	4.21	Overall Width	b1	mm	660	660	660
	4.22	Fork Dimensions	e/l	mm	160/1,195	160/1,195	160/1,195
	4.25	Distance over forks	b5	mm	520	520	520
	4.32	Ground Clearance. center of wheelbase	m2	mm	35	35	35
	4.34	Aisle width for pallets 800 x 1,200 lengthways	Ast	mm	2,128	2,128	2,149
PERFORMANCE DATA	5.1	Travel Speed. loaded		km/h	5.66	5.66	5.66
	5.8	Max. Gradeability. loaded/unloaded		%	8/10	8/10	8/10
	5.10	Service Brake			electromagnetic		
ELECTRIC MOTOR	6.1	AC - Drive motor		kW	1.0	1.0	1.0
	6.2	DC - Lift motor		kW	1.2	1.2	1.2
	6.3	Battery acc. to DIN 43535 A/B/C/no			no	no	no
	6.4	Battery voltage, nominal capacity K5		V/Ah	24/230	24/230	24/230
	6.5	Battery weight		kg	210	210	210
ADDITION DATA	8.1	Type of control for drive and lift			AC-impuls		

Technical specifications are subject to change without notice.

BPL18/20S-7



BPM20S-7

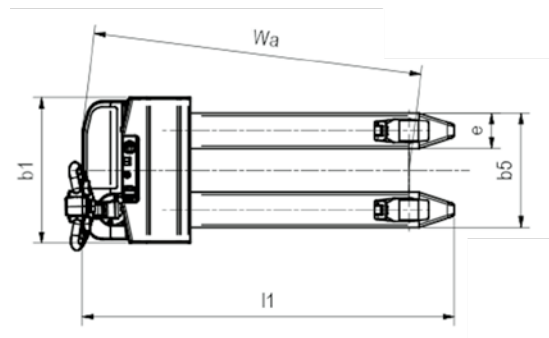
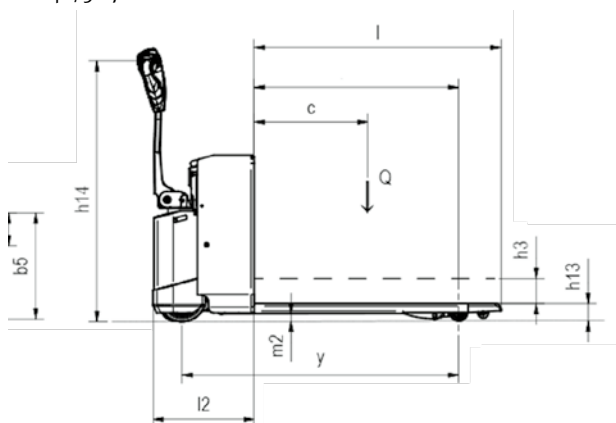


# General Specifications - Pallet Trucks (BPM40/50S-7)

CHARACTERISTICS	1.1	Manufacturer			Doosan	Doosan
	1.2	Model			BPM40S-7	BPM50S-7
	1.3	Drive			Electric	
	1.4	Operator Type			walkie, middle drive	
	1.5	Load Capacity/rated load center	Q	kg	4,000	5,000
	1.6	Load Center	c	mm	600	600
	1.8	Load Distance	x	mm	864	864
	1.9	Wheelbase	y	mm	1,446	1,446
	WEIGHT	2.1	Service Weight (incl. battery)		kg	981
2.2		Axle loading, loaded, front/rear		kg	1,149/3,509	1,331/4,327
2.3		Axle loading, unloaded, front/rear		kg	418/240	418/240
TYRES	3.1	Tyres			Vulkollan	
		Drive wheel		mm	Ø254x100	Ø254x100
		Load wheel		mm	Ø85/95	Ø85/95
		Support wheel		mm	Ø125x30	Ø125x30
	3.6	Tread, Front	b10	mm	500	380/480
	3.7	Tread, Rear	b11	mm	500	380/480
DIMENSIONS	4.4	Lift Height	h3	mm	120	120
	4.9	Height tiller, in drive position	h14	mm	1350	1350
	4.15	Height, lowered	h13	mm	90	90
	4.19	Overall Length	l1	mm	1,644	1,644
	4.20	Length to Forkface	l2	mm	751	751
	4.21	Overall Width	b1	mm	690	690
	4.22	Fork Dimensions	s/e/l	mm	200/1,190	200/1,190
		Distance over forks	b5	mm	580/680	580/680
	4.32	Ground Clearance. center of wheelbase	m2	mm	20	20
	4.34	Aisle width for pallets 800 x 1,200 lengthways	Ast	mm	2352	2352
PERFORMANCE DATA	4.35	External Turning Radius	Wa	mm	1,630	1,630
	5.1	Travel Speed. loaded		km/h	5.66	5.66
	5.8	Max. Gradeability. loaded/unloaded		%	8/10	8/10
	5.10	Service Brake			electromagnetic	
ELECTRIC MOTOR	6.1	AC - Drive motor		kW	2	2
	6.2	DC - Lift motor		kW	2.2	2.2
	6.3	Battery acc. to DIN 43535 A/B/C/no			DIN43535B	DIN43535B
	6.4	Battery voltage, nominal capacity K5		V/Ah	24/240-360	24/240-360
	6.5	Battery weight		kg	211-308	211-308
ADDITION DATA	8.1	Type of control for drive and lift			AC-impuls	

Technical specifications are subject to change without notice.

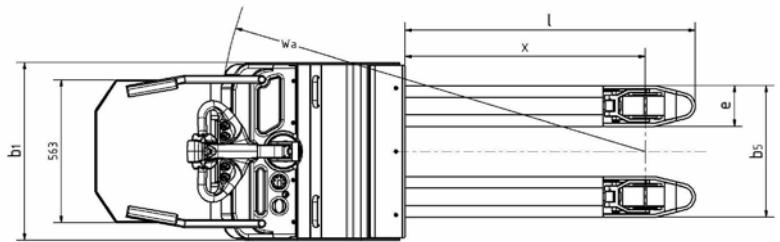
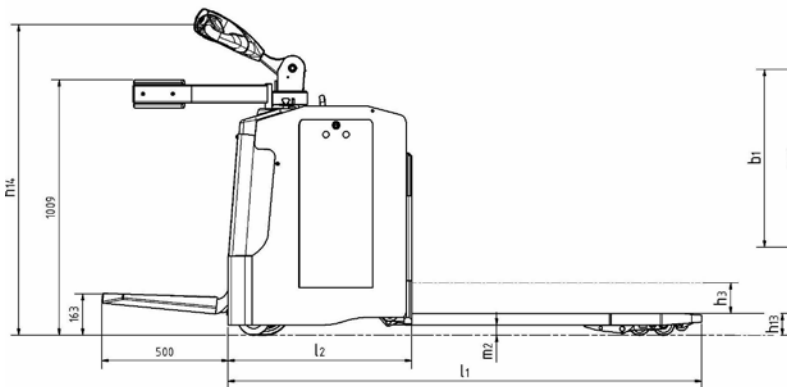
BPM40/50-7



# General Specifications - Pallet Trucks (LEDH2oMP/LEDH2oMP-R/S)

CHARACTERISTICS	1.1	Manufacturer			Doosan	Doosan	Doosan
	1.2	Model			LEDH2oMP	LEDH2oMP-S	LEDH2oMP-R
	1.3	Drive			Electric		
	1.4	Operator Type			walkie, middle drive, platform	walkie, middle drive, side protect	walkie, middle drive, rear protect
	1.5	Load Capacity/rated load center	Q	kg	2,000	2,000	2,000
	1.6	Load Center	c	mm	600	600	600
	1.8	Load Distance	x	mm	950	950	950
	1.9	Wheelbase	y	mm	1,546	1,546	1,546
WEIGHT	2.1	Service Weight (incl. battery)		kg	830	916	910
	2.2	Axle loading, loaded, front/rear		kg	1,127/1,703	1,193/1,723	1,187/1,723
	2.3	Axle loading, unloaded, front/rear		kg	656/174	722/194	716/194
TYRES	3.1	Tyres			Vulkollan		
		Drive wheel		mm	Ø230x80	Ø230x80	Ø230x80
		Load wheel		mm	Ø85/78	Ø85/78	Ø85/78
		Support wheel		mm	Ø125x50	Ø125x50	Ø125x50
	3.6	Tread, Front	b10	mm	468	468	468
	3.7	Tread, Rear	b11	mm	358/490	358/490	358/490
	DIMENSIONS	4.4	Lift Height	h3	mm	120	120
4.9		Height tiller, in drive position	h14	mm	1,230	1,230	1,230
4.15		Height, lowered	h13	mm	85	85	85
4.19		Overall Length	l1	mm	1,947	2,462	2,527
4.20		Length to Forkface	l2	mm	797	1,312	1,376
4.21		Overall Width	b1	mm	700	700	700
4.22		Fork Dimensions	s/e/l	mm	45/160/1,150	45/160/1,150	45/160/1,150
4.25		Distance over forks	b5	mm	520/650	520/650	520/650
4.32		Ground Clearance. center of wheelbase	m2	mm	40	40	40
4.34		Aisle width for pallets 800 x 1,200 lengthways	Ast	mm	2,377	2,951	2,981
4.35	External Turning Radius	Wa	mm	1,705	2,279	2,309	
PERFORMANCE DATA	5.1	Travel Speed. loaded/unloaded		km/h	8/9.5	8/9.5	8/9.5
	5.8	Max. Gradeability. loaded/unloaded		%	6/8	6/8	6/8
	5.10	Service Brake			electromagnetic		
ELECTRIC MOTOR	6.1	AC - Drive motor		kW	2.5	2.5	2.5
	6.2	DC - Lift motor		kW	1	1	1
	6.3	Battery acc. to DIN 43535 A/B/C/no			DIN43535B	DIN43535B	DIN43535B
	6.4	Battery voltage, nominal capacity K5		V/Ah	24/375	24/375	24/375
	6.5	Battery weight		kg	300	300	300
ADDITION DATA	8.1	Type of control for drive and lift			AC-impuls		

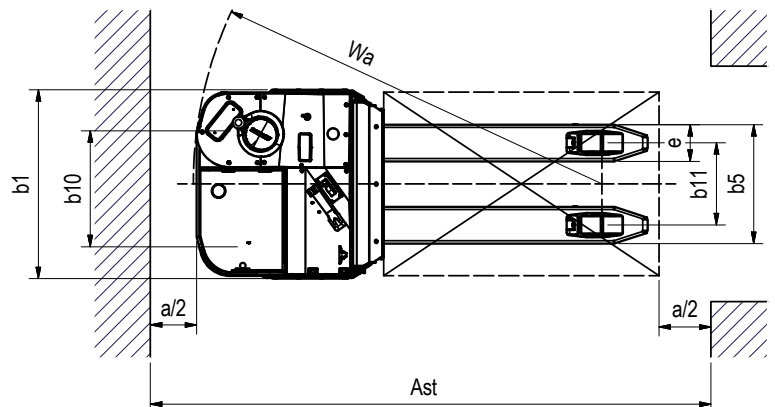
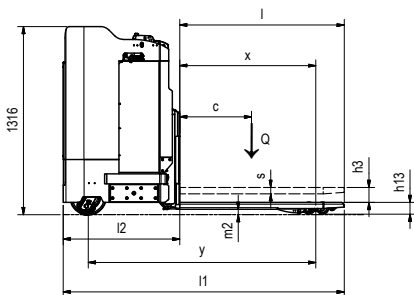
Technical specifications are subject to change without notice.



# General Specifications - Pallet Trucks (BPW20S-5)

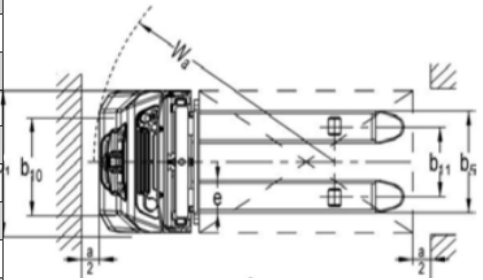
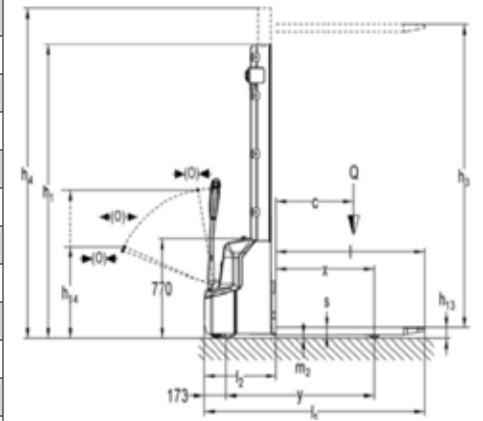
CHARACTERISTICS	1.1	Manufacturer			Doosan
	1.2	Model			BPW20S-5
	1.3	Drive			Electric
	1.4	Operator Type			rider
	1.5	Load Capacity/rated load center	Q	kg	2,000
	1.6	Load Center	c	mm	600
	1.8	Load Distance	x	mm	952
	1.9	Wheelbase	y	mm	1,592
	WEIGHT	2.1	Service Weight (incl. battery)		kg
2.2		Axle loading, loaded, front/rear		kg	1,345/1,820
2.3		Axle loading, unloaded, front/rear		kg	904/261
TYRES	3.1	Tyres			Vulkollan
		Drive wheel		mm	Ø254x100
		Load wheel		mm	Ø85/78
		Support wheel		mm	2xØ125x50
	3.6	Tread, Front	b10	mm	508
	3.7	Tread, Rear	b11	mm	358
DIMENSIONS	4.4	Lift Height	h3	mm	115
	4.15	Height, lowered	h13	mm	85
	4.19	Overall Length	l1	mm	1,964
	4.20	Length to Forkface	l2	mm	815
	4.21	Overall Width	b1	mm	800
	4.22	Fork Dimensions	s/e/l	mm	48/160/1,150
		Distance over forks	b5	mm	520
	4.32	Ground Clearance. center of wheelbase	m2	mm	37
	4.34	Aisle width for pallets 800 x 1,200 lengthways	Ast	mm	2,451
	4.35	External Turning Radius	Wa	mm	1,780
PERFORMANCE DATA	5.1	Travel Speed. loaded/unloaded		km/h	9.5/11
	5.2	Lift Speed. loaded/unloaded		m/s	0.04/0.05
	5.3	Lowering Speed. loaded/unloaded		m/s	0.05/0.04
	5.8	Max. Gradeability. loaded/unloaded		%	6/12
	5.10	Service Brake			electromagnetic
ELECTRIC MOTOR	6.1	AC - Drive motor		kW	2.5
	6.2	DC - Lift motor		kW	1.4
	6.3	Battery acc. to DIN 43535 A/B/C/no			no
	6.4	Battery voltage, nominal capacity K5		V/Ah	24/620
	6.5	Battery weight		kg	550
ADDITION DATA	8.1	Type of control for drive and lift			AC-impuls

Technical specifications are subject to change without notice.



# General Specifications - Stackers (LSM12N-7)

CHARACTERISTICS	1.1	Manufacturer			Doosan
	1.2	Model			LSM12N-7
	1.3	Drive			electric
	1.4	Operator Type			walkie
	1.5	Load Capacity/rated load center	Q	kg	1,200
	1.6	Load Center	c	mm	600
	1.8	Load Distance	x	mm	760
	1.9	Wheelbase	y	mm	1,147
	WEIGHT	2.1	Service Weight (incl. battery)		kg
2.2		Axle loading, loaded, front/rear		kg	560/1,225
2.3		Axle loading, unloaded, front/rear		kg	440/145
TYRES	3.1	Tyres			Polyurethane (PU)
	3.2	Tire size, front		mm	ø210x70
	3.3	Tire size, rear		mm	ø84x93
	3.4	Additional wheels (dimensions)		mm	ø100x50
	3.5	Wheels, number front/rear (x=driven wheels)			1x + 1 / 2
	3.6	Tread, Front	b10	mm	550
	3.7	Tread, Rear	b11	mm	400/515
DIMENSIONS	4.2	Lowered Mast Height	h1	mm	2,280
	4.4	Lift Height	h3	mm	see table
	4.5	Extended Mast Height	h4	mm	4,037
	4.9	Height of tiller in drive position, min./max.	h14	mm	710/1,150
	4.15	Height, lowered	h13	mm	86
	4.19	Overall Length	l1	mm	1,710
	4.20	Length to Forkface	l2	mm	560
	4.21	Overall Width	b1	mm	800
	4.22	Fork Dimensions	s/e/l	mm	60/180/1,150
	4.25	Distance over forks	b5	mm	570/685
	4.32	Ground Clearance. center of wheelbase	m2	mm	26
	4.33	Aisle width for pallets 1.000 x 1,200 lengthways	Ast	mm	2,197
	4.34	Aisle width for pallets 800 x 1,200 lengthways	Ast	mm	2,145
	4.35	External Turning Radius	Wa	mm	1,350
	PERFORMANCE DATA	5.1	Travel Speed. loaded/unloaded		km/h
5.2		Lift Speed. loaded/unloaded		m/s	0.12/0.19
5.3		Lowering Speed. loaded/unloaded		m/s	0.13/0.11
5.8		Max. Gradeability. loaded/unloaded		%	5/10
5.10		Service Brake			electromagnetic
ELECTRIC MOTOR	6.1	DC - Drive motor		kW	0.65
	6.2	DC - Lift motor		kW	2.2
	6.3	Battery acc. to DIN 43535 A/B/C/no			no
	6.4	Battery voltage, nominal capacity K5		V/Ah	24/60
	6.5	Battery weight		kg	19
	6.6	Energy consumption acc. to VDI cycle		kWh/h	0.8
ADDITION DATA	8.1	Type of control for drive and lift			DC Speed Control
	8.4	Sound level at driver's ear acc. to EN12053		db(A)	<70



Technical specifications are subject to change without notice.

MAST SPECIFICATIONS						
	Closed height mm - h1	Free lift height mm - h2	Lift height mm - h3	Extended mast height mm - h4	Lift + fork height mm - h3 + h13	residual capacity (kg)
Simplex	1,930	1,514	1,514	1,930	1,600	1,200
	2,330	1,914	1,914	2,330	2,000	1,200
STD	1,930		2,814	3,337	2,900	1,000
	2,080		3,114	3,637	3,200	800
8	2,280		3,514	4,037	3,600	700

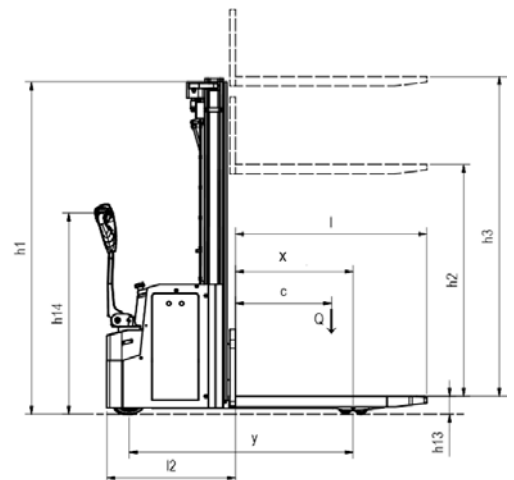
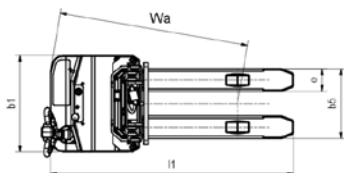


# General Specifications - Stackers - Compact Line - (BSL10/13S-7C)

CHARACTERISTICS	1.1	Manufacturer			Doosan	Doosan
	1.2	Model			BSL10S-7C	BSL13S-7C
	1.3	Drive			electric	electric
	1.4	Operator Type			compact walkie	compact walkie
	1.5	Load Capacity/rated load center	Q	kg	1,000	1,250
	1.6	Load Center	c	mm	600	600
	1.8	Load Distance	x	mm	787	787
	1.9	Wheelbase	y	mm	1,318	1,318
	WEIGHT	2.1	Service Weight (incl. battery)		kg	770
2.2		Axle loading, loaded, front/rear		kg	682/1,088	717/1,303
2.3		Axle loading, unloaded, front/rear		kg	542/228	542/228
TYRES	3.1	Tyres			Vulkollan	
		Drive wheel		mm	∅230x80	∅230x80
		Load wheel		mm	∅85/78	∅85/78
		Support wheel		mm	∅125x50	∅125x50
	3.6	Tread, Front	b10	mm	390	390
	3.7	Tread, Rear	b11	mm	385	385
DIMENSIONS	4.4	Lift Height	h3	mm	see table	
	4.9	Height tiller, in drive position	h14	mm	1,250	1,250
	4.15	Height, lowered	h13	mm	90	90
	4.19	Overall Length	l1	mm	1,870	1,870
	4.20	Length to Forkface	l2	mm	674	674
	4.21	Overall Width	b1	mm	660	660
	4.22	Fork Dimensions	s/e/l	mm	55/185/1,195	55/185/1,195
	4.25	Distance over forks	b5	mm	570	570
	4.32	Ground Clearance. center of wheelbase	m2	mm	32	32
	4.34	Aisle width for pallets 800 x 1,200 lengthways	Ast	mm	2,256	2,256
	4.35	External Turning Radius	Wa	mm	1,481	1,481
PERFORMANCE DATA	5.1	Travel Speed. loaded		km/h	5.5	5.5
	5.2	Lift Speed. loaded/unloaded		m/s	0.15/0.21	0.15/0.21
	5.3	Lowering Speed. loaded/unloaded		m/s	0.53/0.24	0.53/0.24
	5.8	Max. Gradeability. loaded/unloaded		%	7/12	7/12
	5.10	Service Brake			electromagnetic	
ELECTRIC MOTOR	6.1	AC - Drive motor		kW	1	1
	6.2	DC - Lift motor		kW	1.4	1.4
	6.3	Battery acc. to DIN 43535 A/B/C/no			no	no
	6.4	Battery voltage, nominal capacity K5		V/Ah	24/250	24/250
	6.5	Battery weight		kg	220	220
ADDITION DATA	8.1	Type of control for drive and lift			AC-impuls	

Technical specifications are subject to change without notice.

MAST SPECIFICATIONS				
	BSL10S-7C		BSL13S-7C	
Lift height mm - h3	Closed height mm - h1	Capacity at height kg	Closed height mm - h1	Capacity at height kg
1,790	1,300	1,000	1,300	1,250
2,090	1,450	1,000	1,450	1,250
2,490	1,650	1,000	1,650	1,000
2,890	1,850	800	1,850	850
3,290	2,050	650	2,050	700
3,590	2,200	400	2,200	500

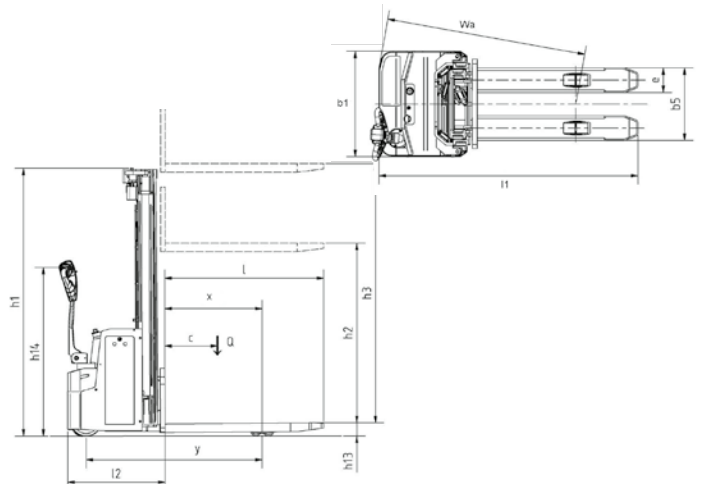


# General Specifications - Stackers - Heavy Line - (BSL14/16S-7)

CHARACTERISTICS	1.1	Manufacturer			Doosan	Doosan	Doosan	Doosan
	1.2	Model			BSL14S-7	BSL14S-7	BSL16S-7	BSL16S-7
	1.3	Drive			electric			
	1.4	Operator Type			heavy walkie	heavy walkie	heavy walkie	heavy walkie
	1.5	Load Capacity/rated load center	Q	kg	1,400	1,400	1,600	1,600
	1.6	Load Center	c	mm	600	600	600	600
	1.8	Load Distance	x	mm	732	732	732	732
	1.9	Wheelbase	y	mm	1,325	1,398	1,325	1,398
	WEIGHT	2.1	Service Weight (incl. battery)		kg	950	1,260	950
2.2		Axle loading, loaded, front/rear		kg	910/1440	1,000/1,660	940/1,610	1,030/1,830
2.3		Axle loading, unloaded, front/rear		kg	700/250	880/380	700/250	880/380
TYRES	3.1	Tyres			Vulkollan			
		Drive wheel		mm	ø230x80	ø230x80	ø230x80	ø230x80
		Load wheel		mm	ø85/78	ø85/78	ø85/78	ø85/78
		Support wheel		mm	ø125x50	ø125x50	ø125x50	ø125x50
	3.6	Tread, Front	b10	mm	525	525	525	525
	3.7	Tread, Rear	b11	mm	385	385	385	385
DIMENSIONS	4.4	Lift Height	h3	mm	see table			
	4.9	Height tiller, in drive position	h14	mm	1,260	1,260	1,260	1,260
	4.15	Height, lowered	h13	mm	90	90	90	90
	4.19	Overall Length	l1	mm	1,929	2,001	1,928	2,000
	4.20	Length to Forkface	l2	mm	732	805	732	805
	4.21	Overall Width	b1	mm	790	790	790	790
	4.22	Fork Dimensions	s/e/l	mm	55/185/1,195		65/185/1,195	
	4.25	Distance over forks	b5	mm	570	570	570	570
	4.32	Ground Clearance. center of wheelbase	m2	mm	35	35	35	35
	4.34	Aisle width for pallets 800 x 1,200 lengthways	Ast	mm	2,306	2,375	2,306	2,376
	4.35	External Turning Radius	Wa	mm	1,490	1,560	1,490	1,560
PERFORMANCE DATA	5.1	Travel Speed. loaded		km/h	5.5	5.5	5.5	5.5
	5.2	Lift Speed. loaded/unloaded		m/s	0.13/0.20	0.13/0.20	0.13/0.20	0.13/0.20
	5.3	Lowering Speed. loaded/unloaded		m/s	0.49/0.23	0.49/0.23	0.49/0.23	0.49/0.23
	5.8	Max. Gradeability. loaded/unloaded		%	7/12	7/12	7/12	7/12
	5.10	Service Brake			electromagnetic			
ELECTRIC MOTOR	6.1	AC - Drive motor		kW	1	1	1	1
	6.2	DC - Lift motor		kW	3	3	3	3
	6.3	Battery acc. to DIN 43535 A/B/C/no			DIN43535B	DIN43535B	DIN43535B	DIN43535B
	6.4	Battery voltage, nominal capacity K5		V/Ah	24/250	24/375	24/250	24/375
	6.5	Battery weight		kg	220	300	220	300
ADDITION DATA	8.1	Type of control for drive and lift			AC-impuls			

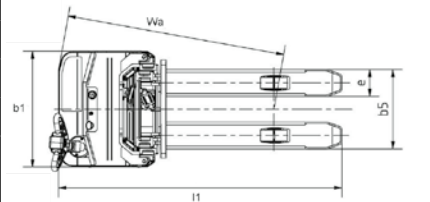
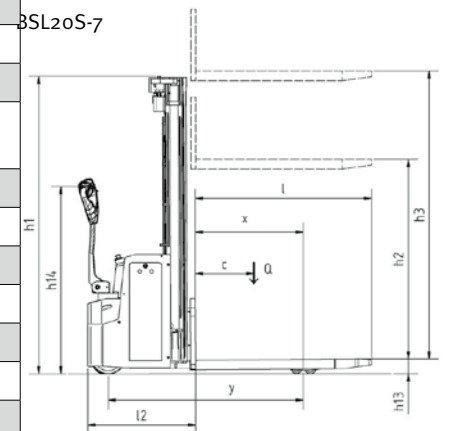
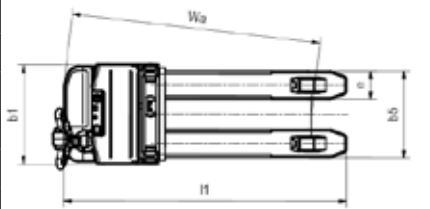
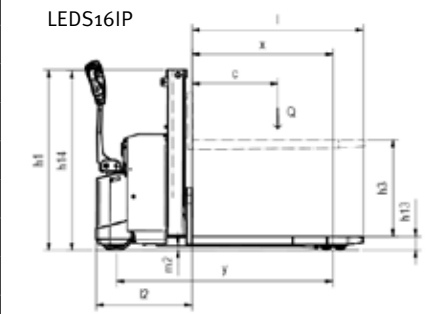
Technical specifications are subject to change without notice.

MAST SPECIFICATIONS - BSL14/16S-7								
height of stroke (h13+h3)	overall height (h1) STD	overall height (h1) FF	overall height (h1) FFT	Free Lift (h2)			BSL14S-7	BSL16S-7
				STD SF	FF DF	FFT TF		
2,890	1,945	1,945	-	0	1,400	-	1,400	1,600
3,590	2,295	2,295	-	0	1,750	-	1,200	1,200
4,190	-	-	1,880	-	-	1,370	750	800
4,390	-	-	1,950	-	-	1,440	700	750
4,790	-	-	2,080	-	-	1,570	600	650
5,390	-	-	2,280	-	-	1,770	400	400



# General Specifications - Stackers - Heavy Line - (LEDS16IP&BSL2oS-7)

CHARACTERISTICS	1.1	Manufacturer			Doosan	Doosan
	1.2	Model			LEDS16IP	BSL2oS-7
	1.3	Drive			electric	electric
	1.4	Operator Type			platform, initial lift	heavy walkie
	1.5	Load Capacity/rated load center	Q	kg	1,600	2,000
	1.6	Load Center	c	mm	600	600
	1.8	Load Distance	x	mm	837	739
	1.9	Wheelbase	y	mm	1,624	1,408
	WEIGHT	2.1	Service Weight (incl. battery)		kg	1,540
2.2		Axle loading, loaded, front/rear		kg	1,300/1,840	1,232/2,279
2.3		Axle loading, unloaded, front/rear		kg	640/900	1,036/475
TYRES	3.1	Tyres			Vulkollan	Vulkollan
		Drive wheel		mm	ø230x80	ø230x80
		Load wheel		mm	ø85/75	ø85/78
		Support wheel		mm	ø140x60	ø140x60
	3.6	Tread, Front	b10	mm	599	525
	3.7	Tread, Rear	b11	mm	385	385
	DIMENSIONS	4.4	Lift Height	h3	mm	see table
		Initial Lift	h5	mm	120	n/a
4.9		Height tiller, in drive position	h14	mm	1,260	1,260
4.15		Height, lowered	h13	mm	90	90
4.19		Overall Length	l1	mm	2,136	2,008
4.20		Length to Forkface	l2	mm	941	812
4.21		Overall Width	b1	mm	880	790
4.22		Fork Dimensions	e/l	mm	185/1,195	70/185/1,195
4.25		Distance over forks	b5	mm	570	570
4.32		Ground Clearance, center of wheelbase	m2	mm	25	20
4.34		Aisle width for pallets 800 x 1,200 lengthways	Ast	mm	2,545	2,390
4.35	External Turning Radius	Wa	mm	1,805	1,580	
PERFORMANCE DATA	5.1	Travel Speed, loaded		km/h	5.5	5.5
	5.2	Lift Speed, loaded/unloaded		m/s	0.13/0.20	0.13/0.20
	5.3	Lowering Speed, loaded/unloaded		m/s	0.49/0.23	0.49/0.23
	5.8	Max. Gradeability, loaded/unloaded		%	7/12	7/12
	5.10	Service Brake			electromagnetic	electromagnetic
ELECTRIC MOTOR	6.1	AC - Drive motor		kW	1	1
	6.2	DC - Lift motor		kW	3	3
	6.3	Battery acc. to DIN 43535 A/B/C/no			DIN43535A	DIN43535A
	6.4	Battery voltage, nominal capacity K5		V/Ah	24/375	24/500
	6.5	Battery weight		kg	300	400
ADDITION DATA	8.1	Type of control for drive and lift			AC-impuls	AC-impuls



Technical specifications are subject to change without notice.

				Free Lift (h2)			LEDS16IP
height of stroke (h13+h3)	overall height (h1) STD	overall height (h1) FF	overall height (h1) FFT	STD SF	FF DF	FFT TF	residual capacity (kg)
2,890	1,945	1,945	-	0	1,400	-	1,000
3,590	2,295	2,295	-	0	1,750	-	1,000
4,190	-	-	1,880	-	-	1,370	1,000
4,390	-	-	1,950	-	-	1,440	800
4,790	-	-	2,080	-	-	1,570	650

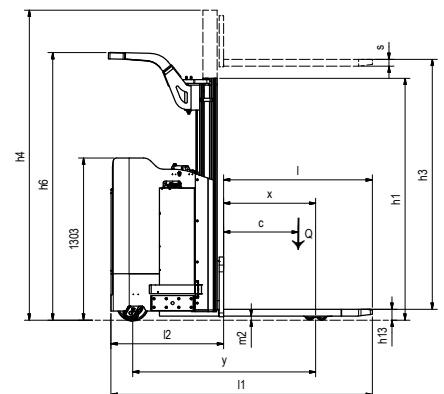
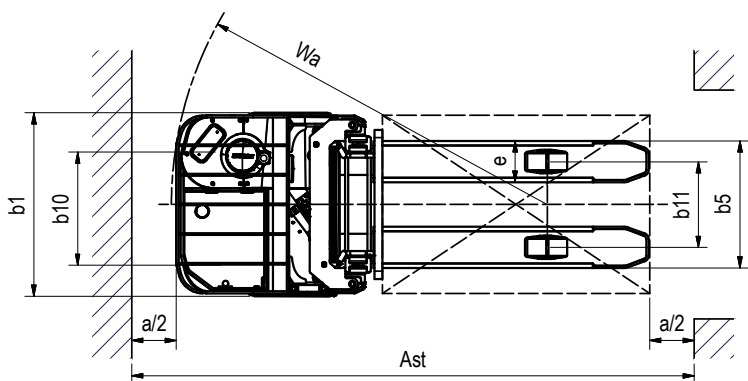
			Free Lift (h2)		BSL2oS-7
height of stroke (h13+h3)	overall height (h1) STD	overall height (h1) FFT	STD SF	FFT TF	residual capacity (kg)
2,890	1,985	-	0	-	2,000
3,590	2,335	-	0	-	1,300
4,190	-	1,945	-	1,370	1,000
4,390	-	2,080	-	1,440	900
4,790	-	2,210	-	1,570	750
5,390	-	2,370	-	1,770	500

# General Specifications - Stackers - Heavy Line - (BSW13S-5)

CHARACTERISTICS	1.1	Manufacturer			Doosan
	1.2	Model			BSW13S-5
	1.3	Drive			electric
	1.4	Operator Type			rider
	1.5	Load Capacity/rated load center	Q	kg	1,250
	1.6	Load Center	c	mm	600
	1.8	Load Distance	x	mm	740
	1.9	Wheelbase	y	mm	1,470
	WEIGHT	2.1	Service Weight (incl. battery)		kg
2.2		Axle loading, loaded, front/rear		kg	1,245/1,595
2.3		Axle loading, unloaded, front/rear		kg	1,126/464
TYRES	3.1	Tyres			Vulkollan
		Drive wheel		mm	Ø254x100
		Load wheel		mm	Ø85/78
		Support wheel		mm	2xØ125x50
	3.6	Tread, Front	b10	mm	508
	3.7	Tread, Rear	b11	mm	385
	DIMENSIONS	4.2	Height, mast lowered	h1	mm
4.4		Lift Height	h3	mm	2,800
4.5		Height, mast extended	h4	mm	3,345
4.15		Height, lowered	h13	mm	90
4.7		Height of overhead guard	h6	mm	2,150
4.19		Overall Length	l1	mm	2,120
4.20		Length to Forkface	l2	mm	905
4.21		Overall Width	b1	mm	800
4.22		Fork Dimensions	s/e/l	mm	55/185/1,195
4.25		Distance over forks	b5	mm	570
4.32		Ground Clearance. center of wheelbase	m2	mm	30
4.34		Aisle width for pallets 800 x 1,200 lengthways	Ast	mm	2,498
4.35		External Turning Radius	Wa	mm	1,688
PERFORMANCE DATA		5.1	Travel Speed. loaded/unloaded		km/h
	5.2	Lift Speed. loaded/unloaded		m/s	0.15/0.23
	5.3	Lowering Speed. loaded/unloaded		m/s	0.5/0.26
	5.8	Max. Gradeability. loaded/unloaded		%	6/12
	5.10	Service Brake			electromagnetic
ELECTRIC MOTOR	6.1	AC - Drive motor		kW	2.5
	6.2	DC - Lift motor		kW	1.4
	6.3	Battery acc. to DIN 43535 A/B/C/no			no
	6.4	Battery voltage, nominal capacity K5		V/Ah	24/620
	6.5	Battery weight		kg	550
ADDITION DATA	8.1	Type of control for drive and lift			AC-impuls

MAST SPECIFICATIONS - BSW13S-5		
height of stroke (h13+h3)	overall height (h1) STD	residual capacity (kg)
2,890	1,945	850

Technical specifications are subject to change without notice.

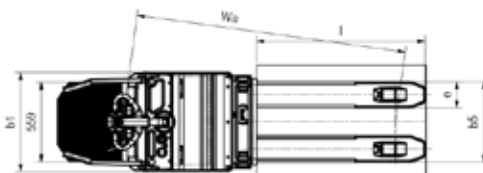
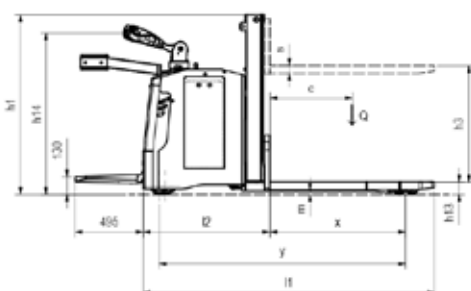


# General Specifications - Double Stackers (BDL13S-7, BDL13S-7H, LEDD12.5/20MP)

CHARACTERISTICS	1.1	Manufacturer			Doosan	Doosan	Doosan	MAST SPECIFICATIONS		
	1.2	Model			BDL13S-7	BDL13S-7H	LEDD12.5/20MP		BDL13S-7, BDL13S-7H	
	1.3	Drive			electric			Lift height mm - h3	Closed height mm - h1	Capacity at height kg
	1.4	Operator Type			walkie	walkie	platform			
	1.5	Load Capacity/rated load center	Q	kg	1,250/1,800	1,250/2,000	1,250/2,000	690		1,250
	1.6	Load Center	c	mm	600	600	600	1,790	1,300	1,250
	1.8	Load Distance	x	mm	980	980	980	2,090	1,450	1,000
	1.9	Wheelbase	y	mm	1,512	1,512	1,750	BDL13S-7		
	WEIGHT	2.1	Service Weight (incl. battery)		kg	830	830	1,095	LEDD12.5/20MP	
2.2		Axle loading, loaded, front/rear		kg	1,015/1,615	1,070/1,760	1,194/1,901	Lift height mm - h3	Closed height mm - h1	Capacity at height kg
2.3		Axle loading, unloaded, front/rear		kg	615/215	615/215	803/292			
TYRES	3.1	Tyres			Vulkollan			1,790	1,300	1,250
		Drive wheel		mm	Ø230x80	Ø230x80	Ø230x80	2,090	1,450	1,250
		Load wheel		mm	Ø85/78	Ø85/78	Ø85/78	BDL13S-7		
		Support wheel		mm	Ø125x50	Ø125x50	Ø125x50			
	3.6	Tread, Front	b10	mm	375	375	387			
	3.7	Tread, Rear	b11	mm	385	385	468			
DIMENSIONS	4.4	Lift Height	h3	mm	see table					
		Initial Lift		mm	120	120	120			
	4.9	Height tiller, in drive position	h14	mm	1,260	1,260	1,225			
	4.15	Height, lowered	h13	mm	90	90	90			
	4.19	Overall Length	l1	mm	1,860	1,860	2,185			
	4.20	Length to Forkface	l2	mm	660	660	990			
	4.21	Overall Width	b1	mm	660	660	700			
	4.22	Fork Dimensions	s/e/l	mm	55/185/1,195	55/185/1,195	55/185/1,195			
		Distance over forks	b5	mm	570	570	570			
	4.32	Ground Clearance. center of wheelbase	m2	mm	35	35	25			
	4.34	Aisle width for pallets 800 x 1,200 lengthways	Ast	mm	2,327	2,327	2,577			
4.35	External Turning Radius	Wa	mm	1,670	1,670	1,920				
PERFORMANCE DATA	5.1	Travel Speed. loaded/unloaded		km/h	5.6	5.6	8/9.5	BDL13S-7H		
	5.2	Lift Speed. loaded/unloaded		m/s	0.15/0.23	0.15/0.23	0.15/0.23			
	5.3	Lowering Speed. loaded/unloaded		m/s	0.5/0.26	0.5/0.26	0.5/0.26			
	5.8	Max. Gradeability. loaded/unloaded		%	8/10	8/10	6/8			
	5.10	Service Brake			electromagnetic					
ELECTRIC MOTOR	6.1	AC - Drive motor		kW	1	1	2.5			
	6.2	DC - Lift motor		kW	1.4	1.4	1.4			
	6.3	Battery acc. to DIN 43535 A/B/C/no			no	no	DIN43535B			
	6.4	Battery voltage, nominal capacity K5		V/Ah	24/230	24/230	24/375			
	6.5	Battery weight		kg	250	250	300			
ADDITION DATA	8.1	Type of control for drive and lift			AC-impuls					

Technical specifications are subject to change without notice.

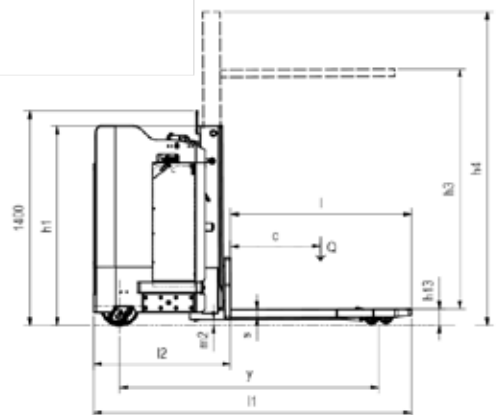
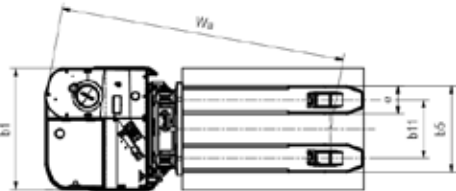
LEDD12.5/20MP



# General Specifications - Double Stackers (BDW13S-5)

CHARACTERISTICS			Doosan		MAST SPECIFICATIONS - BDW13S-5		
					Lift height mm - h3	Closed height mm - h1	Capacity at height kg
1.1	Manufacturer						
1.2	Model			BDW13S-5			
1.3	Drive			electric			
1.4	Operator Type			rider	1,790	1,300	1,250
1.5	Load Capacity/rated load center	Q	kg	1,250/2,000			
1.6	Load Center	c	mm	600			
1.8	Load Distance	x	mm	985			
1.9	Wheelbase	y	mm	1,707			
WEIGHT	2.1	Service Weight (incl. battery)	kg	1,385			
	2.2	Axle loading, loaded, front/rear	kg	1,483/1,902			
	2.3	Axle loading, unloaded, front/rear	kg	1,033/352			
TYRES	3.1	Tyres		Vulkollan			
		Drive wheel	mm	Ø254x100			
		Load wheel	mm	Ø85/78			
		Support wheel	mm	2xØ125x50			
	3.6	Tread, Front	b10	mm	508		
3.7	Tread, Rear	b11	mm	385			
DIMENSIONS	4.2	Height, mast lowered	h1	mm	1,300		
	4.4	Lift Height	h3	mm	1,700		
	4.5	Height, mast extended	h4	mm	2,250		
		Initial Lift	h5	mm	100		
	4.15	Height, lowered	h13	mm	90		
	4.19	Overall Length	l1	mm	2,099		
	4.20	Length to Forkface	l2	mm	905		
	4.21	Overall Width	b1	mm	800		
	4.22	Fork Dimensions	s/e/l	mm	55/185/1,195		
		Distance over forks	b5	mm	570		
	4.32	Ground Clearance, center of wheelbase	m2	mm	25		
	4.34	Aisle width for pallets 800 x 1,200 lengthways	Ast	mm	2,553		
	4.35	External Turning Radius	Wa	mm	1,899		
PERFORMANCE DATA	5.1	Travel Speed, loaded/unloaded	km/h	9.5/11			
	5.2	Lift Speed, loaded/unloaded	m/s	0.15/0.23			
	5.3	Lowering Speed, loaded/unloaded	m/s	0.5/0.26			
	5.8	Max. Gradeability, loaded/unloaded	%	6/12			
	5.10	Service Brake			electromagnetic		
ELECTRIC MOTOR	6.1	AC - Drive motor	kW	2.5			
	6.2	DC - Lift motor	kW	1.4			
	6.3	Battery acc. to DIN 43535 A/B/C/no		no			
	6.4	Battery voltage, nominal capacity K5	V/Ah	24/620			
	6.5	Battery weight	kg	550			
ADDITION DATA	8.1	Type of control for drive and lift		AC-Impuls			

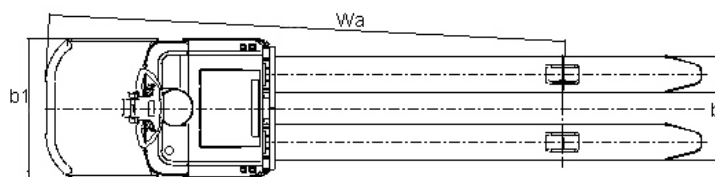
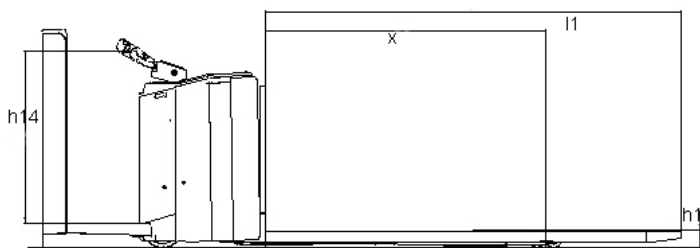
Technical specifications are subject to change without notice.



# General Specifications - Order Pickers (BOR20S-5X)

CHARACTERISTICS	1.1	Manufacturer			Doosan
	1.2	Model			BOR20S-5X
	1.3	Drive			electric
	1.4	Operator Type			rider
	1.5	Load Capacity/rated load center	Q	kg	2,000
	1.6	Load Center	c	mm	1,200
	1.8	Load Distance	x	mm	1,590
	1.9	Wheelbase	y	mm	2,266
WEIGHT	2.1	Service Weight (exl.battery)		kg	1,158
	2.2	Axle loading, loaded, front/rear		kg	1,248/1,910
	2.3	Axle loading, unloaded, front/rear		kg	826/332
TYRES	3.1	Tyres			Vulkollan
		Drive wheel		mm	Ø230x80
		Load wheel		mm	Ø85/78
		Support wheel		mm	Ø140x60
	3.6	Tread, Front	b10	mm	489
	3.7	Tread, Rear	b11	mm	370
	DIMENSIONS	4.4	Lift Height	h3	mm
4.9		Height tiller, in drive position	h14	mm	1,115
4.15		Height, lowered	h13	mm	90
4.19		Overall Length	l1	mm	3,705
4.20		Length to Forkface	l2	mm	1,356
4.21		Overall Width	b1	mm	765
4.22		Fork Dimensions	e/l	mm	200/2,350
		Distance over forks	b5	mm	570
4.32		Ground Clearance. center of wheelbase	m2	mm	25
4.34		Aisle width for pallets 800 x 2,400 lengthways	Ast	mm	4,065
4.35		External Turning Radius	Wa	mm	2,951
PERFORMANCE DATA	5.1	Travel Speed. loaded/unloaded		km/h	8/9.5
	5.2	Lift Speed. loaded/unloaded		m/s	0.13/0.09
	5.3	Lowering Speed. loaded/unloaded		m/s	0.30/0.10
	5.8	Max. Gradeability. loaded/unloaded		%	6/8
	5.10	Service Brake			electromagnetic
ELECTRIC MOTOR	6.1	AC - Drive motor		kW	2.5
	6.2	DC - Lift motor		kW	1.2
	6.3	Battery acc. to DIN 43535 A/B/C/no			DIN43535B
	6.4	Battery voltage, nominal capacity K5		V/Ah	24/375
	6.5	Battery weight		kg	300
ADDITION DATA	8.1	Type of control for drive and lift			AC-impuls

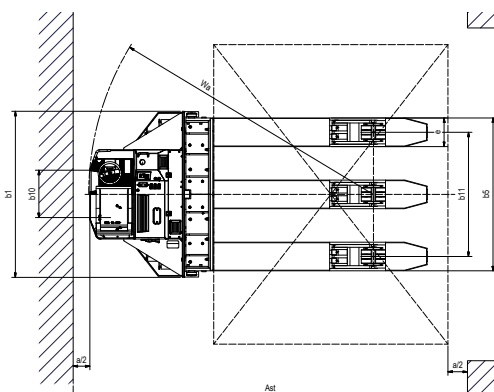
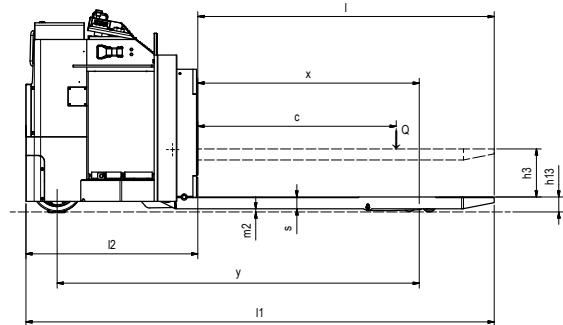
Technical specifications are subject to change without notice.



# General Specifications - Cargo Handling (LEHF75D)

CHARACTERISTICS	1.1	Manufacturer			Doosan
	1.2	Model			LEHF75D
	1.3	Drive			electric
	1.4	Operator Type			driver-seated
	1.5	Load Capacity/rated load center	Q	kg	7,500
	1.6	Load Center	c	mm	1,600
	1.8	Load Distance	x	mm	1,785
	1.9	Wheelbase	y	mm	2,920
	WEIGHT	2.1	Service Weight (incl. battery)		kg
2.2		Axle loading, loaded, front/rear		kg	3,595/8,255
2.3		Axle loading, unloaded, front/rear		kg	3,099/1,251
TYRES	3.1	Tyres			Vulkollan
		Drive wheel		mm	Ø400x150
		Load wheel		mm	12xØ110/50
		Support wheel		mm	2xØ250/60
	3.6	Tread, Front	b10	mm	530
	3.7	Tread, Rear	b11	mm	1,390
DIMENSIONS	4.4	Lift Height	h3	mm	477
	4.15	Height, lowered	h13	mm	115
	4.19	Overall Length	l1	mm	3,770
	4.20	Length to Forkface	l2	mm	1,386
	4.21	Overall Width	b1	mm	1,858
	4.22	Fork Dimensions	s/e/l	mm	95/320/2,400
	4.25	Distance over forks	b5	mm	1,710
	4.32	Ground Clearance. center of wheelbase	m2	mm	20
	4.34	Aisle width for pallets 2,620 x 3,350 crosswise	Ast	mm	5,257
	4.35	External Turning Radius	Wa	mm	3,185
PERFORMANCE DATA	5.1	Travel Speed. loaded/unloaded		km/h	8/10
	5.2	Lift Speed. loaded/unloaded		m/s	0.04/0.05
	5.3	Lowering Speed. loaded/unloaded		m/s	0.05/0.04
	5.8	Max. Gradeability. loaded/unloaded		%	0
	5.10	Service Brake			electromagnetic
ELECTRIC MOTOR	6.1	AC - Drive motor		kW	6
	6.2	DC - Lift motor		kW	4
	6.3	Battery acc. to DIN 43535 A/B/C/no			DIN43531A
	6.4	Battery voltage, nominal capacity K5		V/Ah	48/560
	6.5	Battery weight		kg	950
ADDITION DATA	8.1	Type of control for drive and lift			AC-impuls

Technical specifications are subject to change without notice.







- 🏭 Production Subsidiary
- Sales Subsidiary
- ▲ Parts Depot Center

PSDLE200331V6EN (March 2020)



**Doosan Industrial Vehicles UK Limited**  
12 Kilvey Road  
Brackmills Industrial Estate  
Northampton  
NN4 7BQ  
Tel.: 01604 825 600  
Website : [www.doosanflt.com](http://www.doosanflt.com)

Authorized Dealer