

COMBi-SL 4500-6000

The 3 wheel sideloader forklift designed for the safe, space saving and productive handling of long and bulky loads.

COMBiLiFT

LIFTING INNOVATION

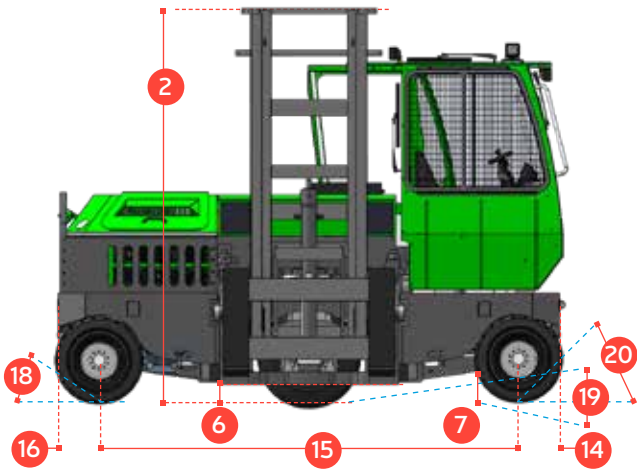


Combi-SR: Rear Mounted Cabin

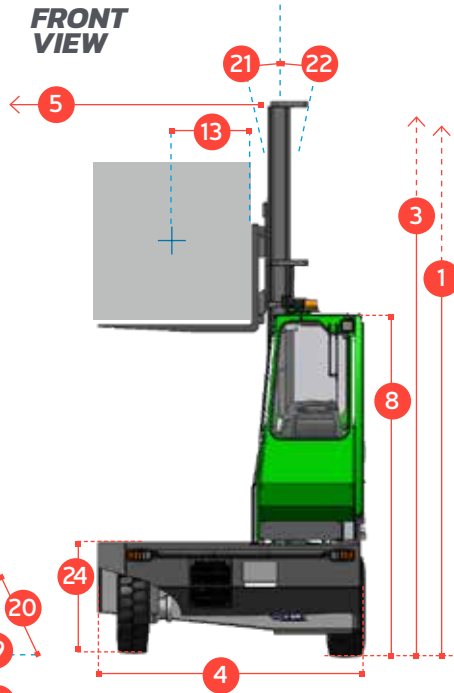


COMBI-SL 4500-6000

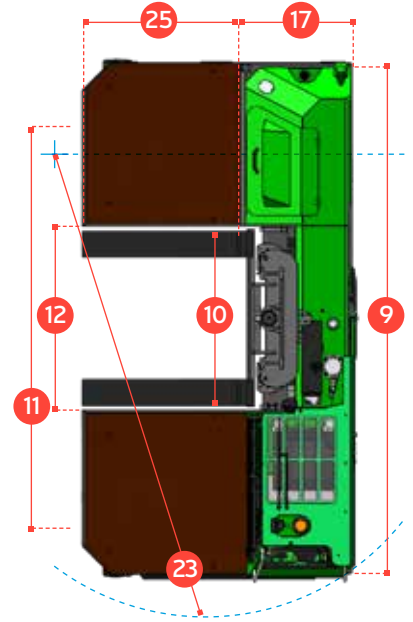
SIDE VIEW



FRONT VIEW



OVERHEAD VIEW



REF.	DESCRIPTION	4500 SL	5000 SL	6000 SL
1a	Standard Lift Height		4040mm	
1b	Free Lift Height		0mm	
2	Height Mast Closed		3000mm	
3	Max. (Mast raised)		5200mm	
4	Overall Length	2050mm	2050mm	2250mm
5	Mast Travel	1290mm	1290mm	1490mm
6	Ground Clearance Under Mast		300mm	
7	Ground Clearance to Centre of Wheelbase		335mm	
8	Height Over Cab (Without work lights)		2670mm	
9	Width		3900mm	
10	Outside Spread of Fork Arms		1350mm	
11	Track Front		3258mm	
12	Frame Opening		1400mm	
13	Load Centre Distance		600mm	
14	Overhang Front		320mm	
15	Wheelbase		3260mm	
16	Overhang Back		320mm	
17	Length From Face of Fork		850mm	
18	Approach Angle		45°	
19	Ramp Angle		18°	
20	Departure Angle		45°	
21	Forward Tilt		3°	
22	Backward Tilt		5°	
23	Minimum Outside Radius		2590mm	
24	Platform Height (Optional 750mm)		850mm	
25	Platform Length	1200mm	1200mm	1400mm

Multi-Directional



Features Include:

- Rubber Mounted Half Open Cabin
- Multi-Direction Operation
- 3 Wheel Hydrostatic Drive
- Load Sensing Steering
- 4 Way Lever Positioning of Wheels
- Hydraulic Oil Cooler

Distributed by:

A	Capacity	4500 kg	5000 kg	6000 kg
B	Unladen Weight	9800 kg	9900 kg	10,200 kg
C	Maximum Ground Speed	20 km/h		
D	Gradeability	15%		
E	Deutz TCD 3.6L / 4.3 ltr GM LPG	55 kW / 72 kW		
F	Electrics	12 Volt		
G	Fork Section 50mm x 200mm	1200mm	1200mm	1400mm
H	27 x 10 - 12 Front Tyre	OD 680mm / Width 255mm		
I	355 / 65 - 15 Rear Tyre	OD 800mm / Width 295mm		
J	Standard Colour	Green & Grey		
K	Suspension Seat	KAB Model 116		

COMBILIFT HAS A POLICY OF CONTINUOUS PRODUCT DEVELOPMENT AND RESERVES THE RIGHT TO ALTER SPECIFICATIONS WITHOUT PRIOR NOTICE. SPECIFICATIONS AND/OR DIMENSIONS MAY VARY FROM THOSE ILLUSTRATED IN SOME COUNTRIES.