

7 Series Forklifts

Pneumatic Diesel 6 to 9 ton Series

EPA Tier-4 / Euro Stage 4



Lifting Your Dreams

6,000/7,000/8,000/9,000kg Capacity

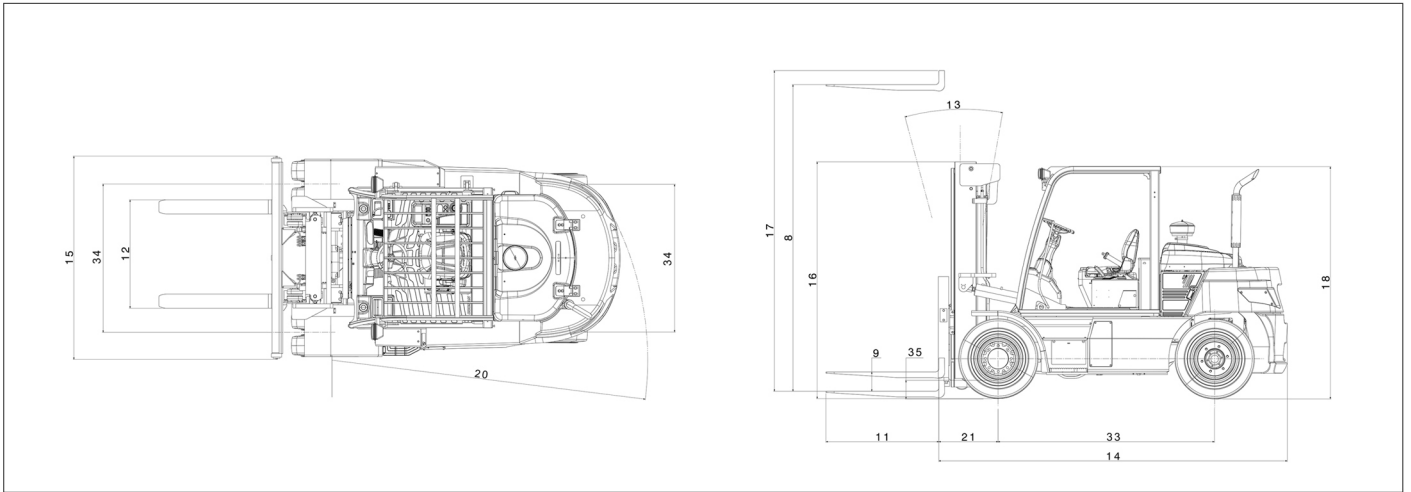
Engine Powered Forklift Trucks

Pneumatic Tire, Diesel

CHARACTERISTICS							
1	Model			D60S-7	D70S-7	D80S-7	D90S-7
2	Capacity	at rated load center	kg	6000	7000	8000	9000
3	Load center	Distance	mm	600	600	600	600
4	Power type	Electric,Diesel,Gasoline,LP-Gas		Diesel	Diesel	Diesel	Diesel
5	Operator type	Stand-on, Rider-seated		Rider-seated	Rider-seated	Rider-seated	Rider-seated
6	Tire type	c=cushion, p=pneumatic		p	p	p	p
7	Wheels	Number, front/rear		4/2	4/2	4/2	4/2
DIMENSIONS							
8	Maximum fork height	with STD 2-stage mast	mm	3000	3000	3100	3100
9	Free lift		mm	205	205	215	215
10	Fork carriage	ISO class		5	5	5	5
11	Forks	Thickness x Width x Length	mm	60x180x1200	60x180x1200	70x180x1200	70x180x1200
12		Fork spacing(min X Max)	mm	410x2032	410x2032	410x2092	410x2092
13	Tilt of mast	Forward / Backward	deg	15/10	15/10	15/10	15/10
14	Overall Dimensions	Length to forkface	mm	3618	3697	4014	4040
15		Width	mm	2108	2108	2230	2230
16		Mast lowered height	mm	2500	2500	2835	2835
17		Mast extended height	mm	4340	4340	4375	4375
18		Overhead guard height(Cabin)	mm	2468(2535)	2468(2535)	2673(2771)	2673(2771)
19		Seat height	mm	1455	1455	1526	1526
20	Minimum outside Turning Radius		mm	3380	3430	3650	3680
21	Load moment constant		mm	632	632	725	725
PERFORMANCE							
22	Speed	Ttravel, loaded/unloaded	km/h	30/33.6	29.1/33.3	30.9/36.5	30.2/36.4
23		Lift, loaded/unloaded	mm/s	480/540	430/470	420/470	410/470
24		Lowering, loaded/unloaded	mm/s	500/450	500/450	500/450	500/450
25	Drawbar pull	at 1.6 km/h, loaded	kg	6196	6153	5,768	5,754
26	Gradeability	at 1.6 km/h, loaded	%	45	39	31	28
WEIGHT							
27	Total weight	Unloaded	kg	9093	9783	11625	12275
28	Axle load	with loaded, front/rear	kg	13416/1677	14786/1997	17335/2290	18785/2490
29		without loaded, front/rear	kg	4181/4912	4031/5752	5095/6530	5015/7260
CHASSIS							
30	Tires	Number of front/rear		4/2	4/2	4/2	4/2
31		Size, front		8.25x15-14PR	8.25x15-14PR	9.00x20-14PR	9.00x20-14PR
32		Size, rear		8.25x15-14PR	8.25x15-14PR	9.00x20-14PR	9.00x20-14PR
33	Wheel base		mm	2300	2300	2500	2500
34	Tread	Front/Rear	mm	1584/1550	1584/1550	1668/1750	1668/1750
35	Ground clearance	loaded, at the lowest point	mm	196	196	258	258
36		loaded, at center of wheelbase	mm	225	225	329	329
37	Brakes	Service brake		Disc	Disc	Disc	Disc
38		Parking brake		Rachet	Rachet	Rachet	Rachet
DRIVE							
39	Battery	Voltage/Capacity	V/AH	24/75	24/75	24/75	24/75
40	Engine	Manufacturer/Model		D1/D34	D1/D34	D1/D34	D1/D34
41		Rated output (at rpm)	kW/rpm	80.9/2300	80.9/2300	80.9/2300	80.9/2300
42		Max. Torque	Nm/rpm	375/1600	375/1600	375/1600	375/1600
43		Cycle/Cylinders/Displacement	cc	4/4/3409	4/4/3409	4/4/3409	4/4/3409
44	Transmission	Type		Full Auto	Full Auto	Full Auto	Full Auto
45		No. speeds forward/reverse		3/3	3/3	3/3	3/3
46	Operating pressure	System/Attachment	bar	190/140	210/140	220/140	235/140

Note: Specification values quoted in this specification sheet has been rounded. Performance may vary due to operation conditions. Products and specifications are subject to improvement and change without prior notices.

DIMENSIONAL DRAWING



MAST SPECIFICATIONS and RATED CAPACITIES

D60S-7

Mast type	Maximum Fork Height	Fully Lowered Height	Fully Extended Height With Load Backrest	Free Lift With Load Backrest	Rated Load Capacities		
					D60S-7		
					Tilt Angle		Load Capacities
					Double Pneumatic		Double Pneumatic
					FWD	BWD	LC 600mm
	mm	mm	mm	mm	deg	deg	kg
STD	3,000	2,495	4,275	205	15	10	6,000
	3,500	2,745	4,775	205	15	10	6,000
	3,700	2,845	4,975	205	15	10	6,000
	4,000	2,995	5,275	205	15	10	6,000
	4,500	3,345	5,775	205	15	10	6,000
	5,000	3,595	6,275	205	15	10	6,000
	5,500	3,845	6,775	205	15	10	5,875
FFT	6,000	4,095	7,275	205	15	10	5,675
	4,550	2,540	5,570	1,580	15	10	5,900
	5,000	2,690	6,020	1,730	15	10	5,725
	5,600	2,890	6,620	1,930	15	10	5,500
	6,050	3,040	7,070	2,080	15	10	5,300

D70S-7

Mast type	Maximum Fork Height	Fully Lowered Height	Fully Extended Height With Load Backrest	Free Lift With Load Backrest	Rated Load Capacities		
					D70S-7		
					Tilt Angle		Load Capacities
					Double Pneumatic		Double Pneumatic
					FWD	BWD	LC 600mm
	mm	mm	mm	mm	deg	deg	kg
STD	3,000	2,495	4,275	205	15	10	7,000
	3,500	2,745	4,775	205	15	10	7,000
	3,700	2,845	4,975	205	15	10	7,000
	4,000	2,995	5,275	205	15	10	7,000
	4,500	3,345	5,775	205	15	10	7,000
	5,000	3,595	6,275	205	15	10	7,000
	5,500	3,845	6,775	205	15	10	7,000
	6,000	4,095	7,275	205	15	10	6,900
	3,000	2,495	4,275	205	15	10	7,000
	3,500	2,745	4,775	205	15	10	7,000
	3,700	2,845	4,975	205	15	10	7,000
	4,000	2,995	5,275	205	15	10	7,000
	4,500	3,345	5,775	205	15	10	7,000
	5,000	3,595	6,275	205	15	10	7,000
	5,500	3,845	6,775	205	15	10	7,000
6,000	4,095	7,275	205	15	10	6,900	
FFT	4,550	2,540	5,570	1,580	15	10	7,000
	5,000	2,690	6,020	1,730	15	10	7,000
	5,600	2,890	6,620	1,930	15	10	6,725
	6,050	3,040	7,070	2,080	15	10	6,500

Note : Mast Specifications & Rated Capacities are based on standard chassis with dual pneumatic tire and without side shifter.

D8oS-7

Mast type	Maximum Fork Height	Fully Lowered Height	Fully Extended Height With Load Backrest	Free Lift With Load Backrest	Rated Load Capacities		
					D8oS-7		
					Tilt Angle		Load Capacities
					Double Pneumatic		Double Pneumatic
					FWD	BWD	LC 600mm
	mm	mm	mm	mm	deg	deg	kg
STD	3,100	2,835	4,375	215	15	10	8,000
	3,300	2,935	4,575	215	15	10	8,000
	3,600	3,085	4,875	215	15	10	8,000
	4,100	3,435	5,375	215	15	10	8,000
	4,600	3,685	5,875	215	15	10	8,000
	5,100	3,935	6,375	215	15	10	8,000
	5,600	4,185	6,875	215	15	10	8,000
FFT	4,350	2,630	5,625	1,420	15	10	8,000
	4,800	2,780	6,075	1,570	15	10	8,000
	5,400	2,980	6,675	1,770	15	10	8,000
	5,850	3,130	7,125	1,920	15	10	7,900

D9oS-7

Mast type	Maximum Fork Height	Fully Lowered Height	Fully Extended Height With Load Backrest	Free Lift With Load Backrest	Rated Load Capacities		
					D9oS-7		
					Tilt Angle		Load Capacities
					Double Pneumatic		Double Pneumatic
					FWD	BWD	LC 600mm
	mm	mm	mm	mm	deg	deg	kg
STD	3,100	2,835	4,375	215	15	10	9,000
	3,300	2,935	4,575	215	15	10	9,000
	3,600	3,085	4,875	215	15	10	9,000
	4,100	3,435	5,375	215	15	10	9,000
	4,600	3,685	5,875	215	15	10	9,000
	5,100	3,935	6,375	215	15	10	9,000
	5,600	4,185	6,875	215	15	10	9,000
FFT	4,350	2,630	5,625	1,420	15	10	9,000
	4,800	2,780	6,075	1,570	15	10	9,000
	5,400	2,980	6,675	1,770	15	10	9,000
	5,850	3,130	7,125	1,920	15	10	8,850

Note : Mast Specifications & Rated Capacities are based on standard chassis with dual pneumatic tire and without side shifter.